

## FSA-P2D



### Specification

**Channel** 2CH

**Control range** Control by channel and 4 scenes memorized

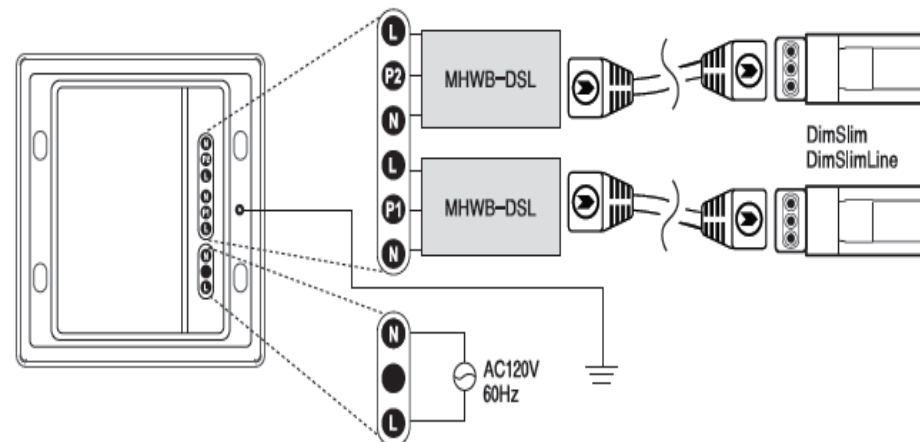
**Input** 120VAC, 2.5A, 60Hz

**Output** PWM (for DimSlim/DimSlimLine)

**Size** W38 X H110 X D20 (mm)

**Max. connection** 10pcs of DimSlim/DimSlimLine per channel and up to 150W per channel

### Wiring



FBA-P2P (Booster)



Specification

Channel 2CH

Input 120VAC, 2.5A, 60Hz      Output PWM (for DimSlim/DimSlimLine)

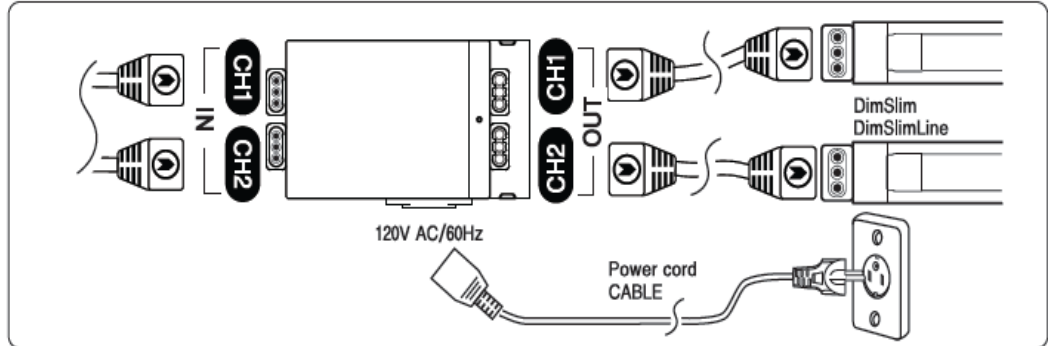
Size W115 X H23 X D45 (mm)

Max. connection 10pcs of DimSlim/DimSlimLine per channel and up to 300W per channel

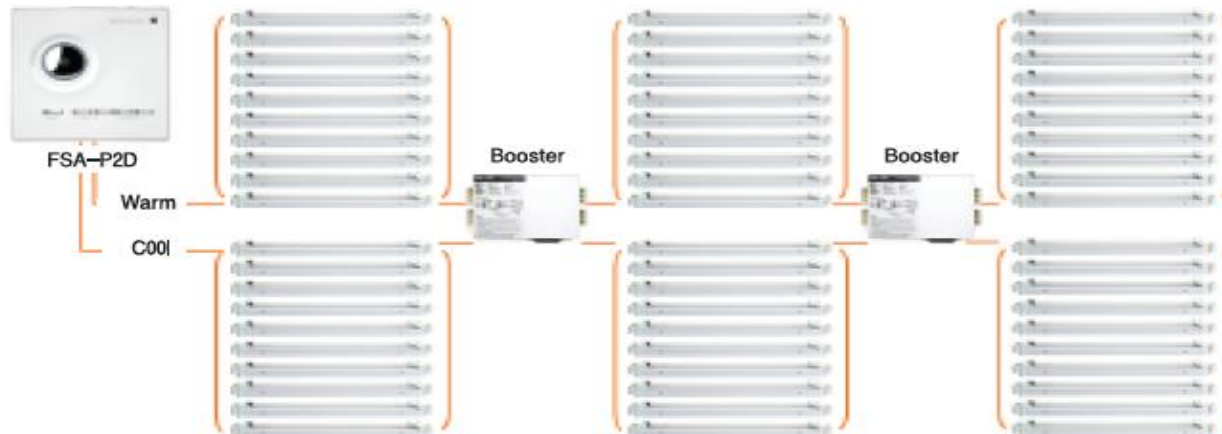
\* FSA-P2D is able to connect to a maximum of 10pieces of DimSlim/DimSlimLine per channel, and remarkably extends the connecting capability.

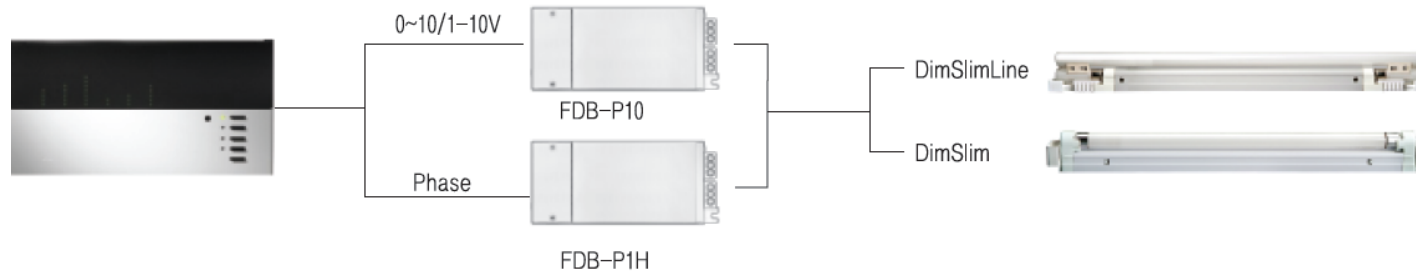
Link the Booster at the 10th DimSlim/DimSlimLine from the controllers, and 20 more piece of fixture can be connected.

Wiring



Example (FSA-P2D)





**FDB-P10 (0-10V/1-10V to PWM translator)**

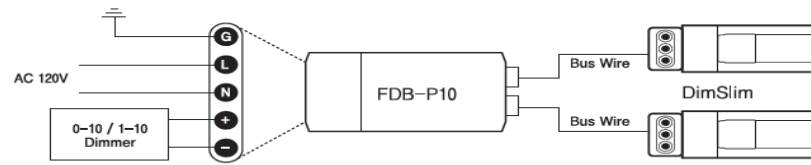


**Specification**

**Channel** 1CH  
**Rated Input** 120VAC / 60Hz  
**Output Signal** 1CH PWM  
**Max. Connection** 10pcs of DimSlim/DimSlimLine per a outmail

**Input Signal** 0-10V / 1-10V  
**Rated Output** Max. 600W, 5A

**Wiring**



**FDB-P1H (Phase to PWM translator)**



**Specification**

**Channel** 1CH  
**Rated Input** 120VAC / 60Hz  
**Output Signal** 1CH PWM  
**Max. Connection** 10pcs of DimSlim/DimSlimLine per a outmail

**Input Signal** Phase controlled AC  
**Rated Output** Max. 600W, 5A

**Wiring**

